

CARE & MAINTENANCE

Clean with a soft cloth and warm soapy water as necessary - rinse and dry after cleaning. Under no circumstances should abrasive or acid based cleaning products be used. If the toilet suite requires servicing, please contact your plumber (preferably the one who installed it) **If the problem represents a danger, or damage to property may occur, immediately shut off the water supply.**

WARRANTY

We provide the following warranty for products purchased in Australia or New Zealand from authorised Oliveri resellers for use in domestic residential (indoor) or commercial (indoor) installations (Products). Commercial installations include all non-residential installations including hotels, motels, gyms, clubs, factories, schools, hospitals, restaurants and aged care facilities. This warranty is in addition to our responsibility to customers under all other statutory and regulatory requirements. The applicable warranty period set out below (Warranty Period) starts at the original date of purchase.

PRODUCT	COMPONENT	DOMESTIC USE	COMMERCIAL USE
Toilet Suites	Vitreous china pan & cistern	20 years replacement parts, 1 year labour	7 years replacement parts, 1 year labour
	Seat	5 years replacement parts, 1 year labour	1 year replacement parts, 1 year labour
	Valves & fittings	2 years replacement parts, 1 year labour	1 year replacement parts & labour
	Seals	1 year replacement parts, 1 year labour	1 year replacement parts & labour

WARRANTY STATEMENT

(a) Our Products come with guarantees that cannot be excluded under the Australian and New Zealand consumer law. You are entitled to a replacement or refund for a major failure and for compensation for any other reasonably foreseeable loss or damage.

(b) If during the applicable Warranty Period, a Product has a material defect which arose in the course of manufacture then, subject to the warranty conditions below being met, you may submit a warranty claim to us by email or calling our Customer Care Centre:

Australia

Ph: 08 8348 6444 (select Service & Warranty option)
Email: warranty@oliveri.com.au

New Zealand

Ph: 0800 440 606 (select Service & Warranty option)
Email: warranty@oliveri.co.nz

If a warranty service call finds that the product does not have a genuine manufacturing fault, our Warranty Service Agent reserves the right to pass on any call-out fee to the householder. If we require you to return the Product, you must pay the expenses for such return.

WARRANTY CONDITIONS

We will (at our cost) either repair or replace (at our option) the Product at an equivalent value of the product purchased if it is discovered that the Product contains a material defect which arose during manufacture. We will pay the expense for shipment of the repaired or replaced Product to you. The warranty set out in the Warranty Statement above (other than sections 1(a)) is subject to the following conditions, and accordingly will not apply if:

(a) The Product was not new as at the date of purchase or proof of purchase details (such as invoice, receipt or transaction record) are not provided.

(b) There is a failure to follow installation instructions, evidence cannot be provided that the Product was installed by a licensed plumber or the Product is used other than in accordance with product specifications. This includes operating conditions specified for temperature and pressure.

(c) Repair work is performed on the relevant Product by a person other than us, our authorised service agents or any plumber who has not received authorisation from us prior to proceeding with the work.

(d) Applicable statutes or regulations relating to public health are not observed and the Product must not have been damaged by misuse, accident or neglect.

(e) Standards or regulations governing sewerage, plumbing, water supply and gas applicable to the location of the particular plumbing installation are not observed. This includes (without limitation) the Australian Standards (AS/NZ 3500.1 Plumbing and Drainage Part 1: Water services) which specify that the main water supply pressure to any new home, extension or renovation must be limited to 500kPa. The recommended continuous operating pressure for tapware is between 150-500kPa.

(f) Harsh detergents or abrasive cleaners are used on any finishes of the Product.

(g) The damage is edge chipping, surface damage caused by wear and tear, cracking or discolouration due to the Product being subjected to high heat or damage caused by improper use.

(h) The Product must not contain excessive debris (in-line filters must be installed).

(i) The Product has discolouration, natural pitting, corrosion or rusting from 'hard' water and/or other environmental factors.

(j) Adequate access to products, fittings and fixtures to undertake extended warranty repairs is required. We will not be responsible for any consequential damage or costs where adequate access to product fittings and fixtures is not accessible.

(k) Hairline cracking appears around cut-outs during or after installation of the Product.

(l) The Product has been moved from original installations.

Installation Guide

Vienna

Oliveri®

Short Projection Comfort Height Back to Wall Toilet Suite

VI600CHA : VI600CHA-C / VI600CHA-P / VI600CHA-ST

IMPORTANT

This toilet suite must be installed in accordance with these instructions.

Check the product for damage. If the product is damaged return to the store of purchase. Check the product is complete with all components required to install. This product is to only be installed by a licensed plumber, and must be installed in accordance with these instructions, failing to do so will void warranty.



THIS TOILET MUST BE INSTALLED BY A LICENSED PLUMBER IN ACCORDANCE WITH LOCAL REGULATIONS

CAUTION

Be sure to use proper tools and always wear personal safety devices for your protection during installation.

WATER PRESSURE

Maximum Hydrostatic Pressure : 500 kPa. (As per AS/NZS3500) Note: AS/NZS 3500.1-2003 (Clause 3.3.4) states that "Provision shall be made to ensure that the maximum static pressure at any outlet, other than a fire service outlet, within a building does not exceed 500 kPa."

Minimum Hydrostatic Pressure : 100 kPa. Note: This Product may not be suitable for use with low pressure or gravity feed water supplies.

WARNING: DO NOT BED THE PAN IN PLACE USING CEMENT, CONCRETE OR SIMILAR MATERIAL, DOING SO WILL VOID THE PRODUCT WARRANTY.

PAN INSTALLATION

1. Mark the centre line of the pan connector on the floor for "S" trap installation or on the wall for "P" trap installation.
2. Place the pan into position centralising the pan on your centre line. Draw around the pan base and mark the entry points on the floor to where the floor fixing holes are on the side of the pan.
3. Remove the pan and drill and screw into place the floor fixing brackets. Set the floor fixing brackets 40 mm inside the line drawn around the base of the pan. Use suitable floor fixing screws and toggles to suit the floor material.
4. **Critical:** The pan must be on a level surface and square to the wall. If the floor slopes away, the pan will need to be levelled using suitable floor chocks around the pan to support and stabilise the pan.
5. The standard Variance Bend supplied has a set out of 75 mm to 155 mm. The Optional Variance Bend (SPB0202 - sold separately) has a set out of 140 mm to 205 mm.
6. **"S" Trap Installation:** Place the Variance Bend into the floor outlet, from the finished floor to the centre of the pan outlet is 180mm. Ensure the Variance Bend is straight and square to the wall and centralised to the pan outlet height. Assemble the Variance Bend wall brace and fix to the finished wall. Measure the distance from the back edge of the pan to the "P" trap edge and add on sufficient length for the Variance Bend collar to fully engage the "P" trap. Remove the locking ring and rubber boot from the Variance Bend. The distance between each ridge on the Variance Bend is 10mm. Once the excess has been cut off the Variance Bend, reassemble the rubber boot and locking ring.

Oliveri Solutions Pty Ltd ABN 12 007 551 886 For more information or any questions about this warranty, contact us or visit our website.

Australia

51 Naweena Rd, Regency Park SA 5010
P: 08 8 348 6444
E: sales@oliveri.com.au
oliveri.com.au

New Zealand

PO Box 4641 Christchurch 8140
P: 0800 440 606
E: sales@oliveri.co.nz
oliveri.co.nz

- If the suite is being installed as a bottom entry inlet, refer to bottom entry cistern installation before sliding the pan into place.
- Slide the pan into place being careful that full engagement of the pan Variance Bend has been achieved.
NOTE: Pre-soaping the rubber boot on the Variance Bend will assist with easier engagement of the Variance Bend.
- Once the pan is in place and connected to the Variance Bend, screw the pan in place using the supplied fixing screws and cover.

DO NOT OVER TIGHTEN SCREWS AS THIS MAY CAUSE THE PAN TO CRACK.

CISTERN INSTALLATION

IMPORTANT: Sand and debris move through water pipes. Always flush the line prior to connecting toilet suite inlet pipe to the water control valve.

BOTTOM ENTRY ONLY (Preassembly requirement before connecting pan to Variance Bend)

- Locate the cistern onto the pan with the sponge gasket placed on the cistern outlet valve tail and connect the tank to pan using attachment bolts.
(N.B. Cistern to pan assembly bolts are to be tightened down evenly, alternating between the left and right bolt until the cistern and pan have china to china contact).
DO NOT OVER TIGHTEN.

- Assemble the supplied Female Flexi Connector from the side entry inlet valve to the 1/2" BSP inlet Stand Pipe located in the cistern tank.
- From the underside of the pan connect the 1/2" BSP Female Flexi Connector to the bottom of the Stand Pipe and feed the other end through the left or right hand side pan hole depending on which side the mains pressure inlet is located.

- Slide pan and cistern into place following steps 8 & 9 in the pan installation section.
- Connect the flexible hose to the water control valve.
- Place cistern lid on top of the cistern and check push button operation.
- Assemble the seat using the seat assembly instructions supplied with the seat.
- Run a bead of neutral cure plumber's grade silicone around the pan and up the edge of the wall to finish off.

BACK ENTRY ONLY

- With the pan in place, locate the cistern onto the pan with the sponge gasket placed on the cistern outlet valve tail and connect the tank to pan using attachment bolts. Ensure that the cistern and pan have china to china contact. (N.B. Cistern to pan assembly bolts are to be tightened down evenly, alternating between the left and right bolt until the cistern and pan have china to china contact).
DO NOT OVER TIGHTEN.

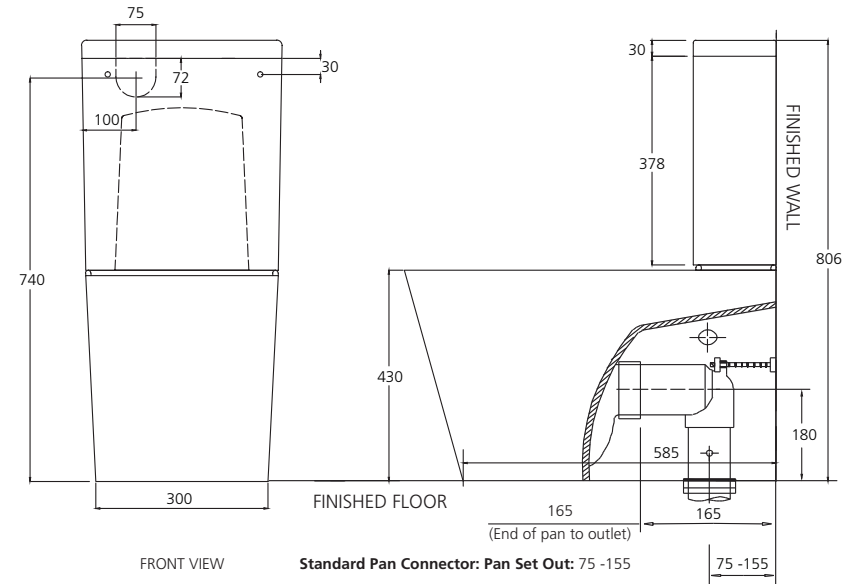
- Assemble the water control valve to the 1/2" BSP inlet thread.
- Connect the supplied Female Flexi Connector to the water control valve.
DO NOT OVER TIGHTEN.
- Place cistern lid on top of the cistern and check push button operation.
- Assemble the seat using the seat assembly instructions supplied with the seat.
- Run a bead of neutral cure plumber's grade silicone around the pan and up the edge of the wall to finish off.

DO NOT USE OFFSET PAN COLLARS ON 'S' OR 'P' TRAP INSTALLATIONS AS THIS WILL COMPROMISE WASTE DISCHARGE. DOING SO WILL VOID THE PRODUCT WARRANTY.

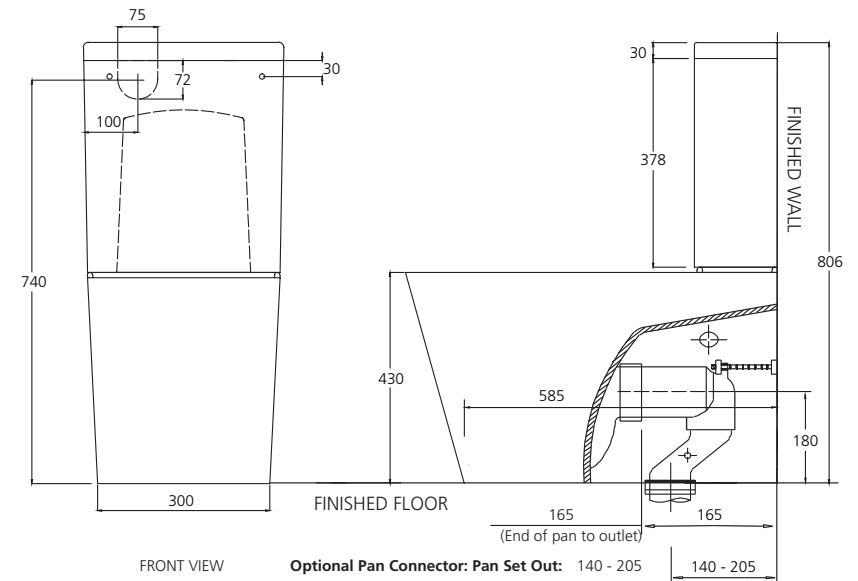
PLEASE LEAVE THESE INSTRUCTIONS WITH THE END USER

SET OUT DRAWING

This Oliveri toilet is manufactured to Australian Standard AS 1172.1, AS1172.2



OPTIONAL SET OUT DRAWING



All dimensions in mm. Manufacturing tolerances apply: ± 10 mm