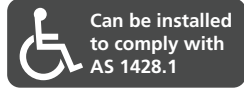
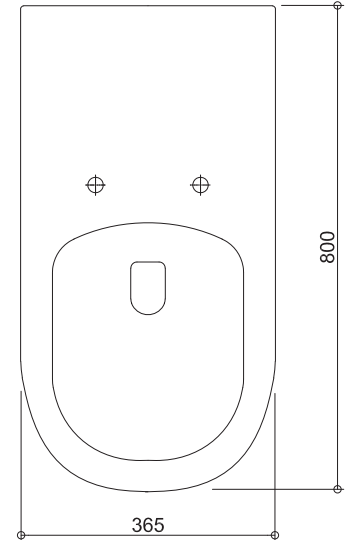
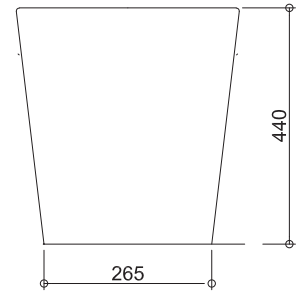
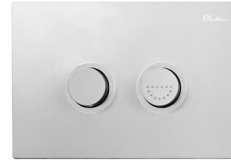


Vienna

VI202C-G (Pan: VI202C / Cistern: ACCIWRTC / Seat: ACC201-4CG)
Wall Faced Care Toilet Suite with Grey Seat



All dimensions in mm



Suite includes

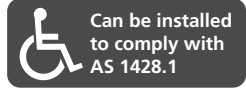
- Rimless Pan
- Lock-in, single flap grey seat
- R&T dual flush concealed cistern
- Brushed chrome raised button push plate
- Fittings & fixtures

Specifications /

WELS Rating	4 star, 3.5 L avg flush volume
WELS registration number	L08070 / L08069
Pan	Box rimless design
Trap(s)	Universal trap for S or P-trap installations. S-trap set out 140 mm - 250 mm as standard. P-trap set out 180 mm floor to centre of outlet.
Cistern	R&T dual flush concealed cistern (4.5 L / 3 L, 3.5 L avg flush volume)
Flush plate	Brushed chrome raised pneumatic buttons - AS 1428.1 compliant
Fixing	The toilet is fixed with R&T concealed water tank in wall.
Seat	Lock-in single flap grey toilet seat is provided as standard. UF compression moulded toilet seat, fitted with buffers and metal hinges.
Installation	AS1428 Compliance: Refer to the latest standard to ensure installation meets the requirements. The installation of the toilet suite shall be in accordance with the normal minimum drain line grade requirements in AS/NZS 3500.2.
Material / Finish	Vitreous china / Gloss white and grey seat
Weight	Pan 44.1 kg, cistern 7.0 kg
Parts list	Pan, seat, hinges, concealed cistern, push plate, S-trap connector, seal ring, fixing plate, fixing screw, floor fixing screw
Commercial warranty	10 years vitreous china pan replacement of product; 5 years replacement seat, cistern; 2 years valves and fittings; 1 year seals, buttons and labour (see Oliveri website for full details)
Maintenance and care instructions	All surfaces should be cleaned with mild liquid detergent or soap and water. Do not use cream cleaners or citrus based cleaning products, as they are abrasive. Use of unsuitable cleaning agents may damage the surface. Any damage caused in this way will not be covered by warranty.

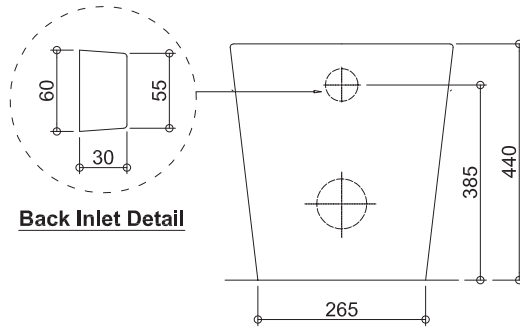
Vienna

VI202C-G (Pan: VI202C / Cistern: ACCIWRTC / Seat: ACC201-4CG)
 Wall Faced Care Toilet Suite with Grey Seat

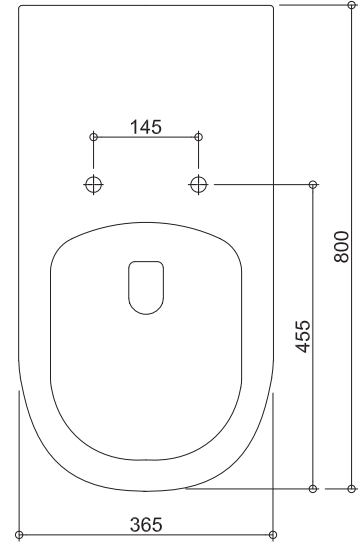


All dimensions in mm

FRONT VIEW



TOP VIEW



SIDE VIEW

