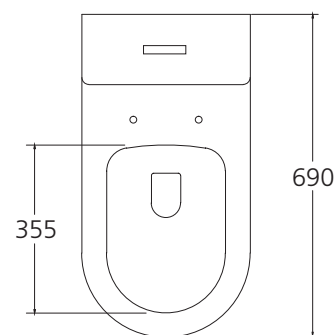
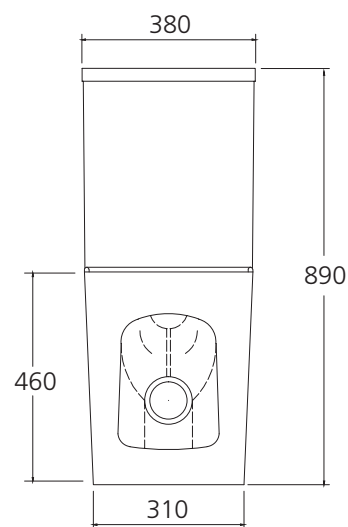


# Vienna

**VI1273CH** (Pan: VI127H3T / Cistern: VI127H3W / Seat: VI1273ST)

Comfort Height Back To Wall Toilet Suite



All dimensions in mm

## Specifications /

<b>WELS Rating</b>	4 star, 3.5L avg flush volume (4.5/3L)
<b>WELS registration number</b>	L06175 / L06174
<b>Pan</b>	Rimless/Easy-clean design
<b>Traps</b>	Universal (S or P Trap)
<b>Set outs</b>	S-trap set out 50 mm - 170 mm as standard. P-trap set out 185 mm floor to centre of outlet. Optional S-trap set out 150 mm - 270 mm (SPB0202)
<b>Inlet</b>	Bottom or back inlet
<b>Cistern</b>	Geberit dual flush valve (4.5 L/3 L)
<b>Fixing</b>	The cistern is fixed directly to the pan with a robust concealed base fixing
<b>Seat</b>	Soft close and quick release toilet seat is provided as standard. Compression moulded toilet seat, fitted with buffers and metal hinges.
<b>Installation</b>	The installation of the toilet suite shall be in accordance with the normal minimum drain line grade requirements in AS/NZS 3500.2.
<b>Material / Finish</b>	Vitreous china / Gloss white
<b>Weight</b>	65.8 kg
<b>Parts list</b>	UF toilet seat, Geberit double flushing valve, square button, standard pipe.
<b>Warranty</b>	20 years vitreous china cistern and pan replacement of product; 5 years replacement seat; 2 years valves and fittings; 1 year seals and labour (see Oliveri website for full details)
<b>Maintenance and care instructions</b>	All surfaces should be cleaned with mild liquid detergent or soap and water. Do not use cream cleaners or citrus based cleaning products, as they are abrasive. Use of unsuitable cleaning agents may damage the surface. Any damage caused in this way will not be covered by warranty.

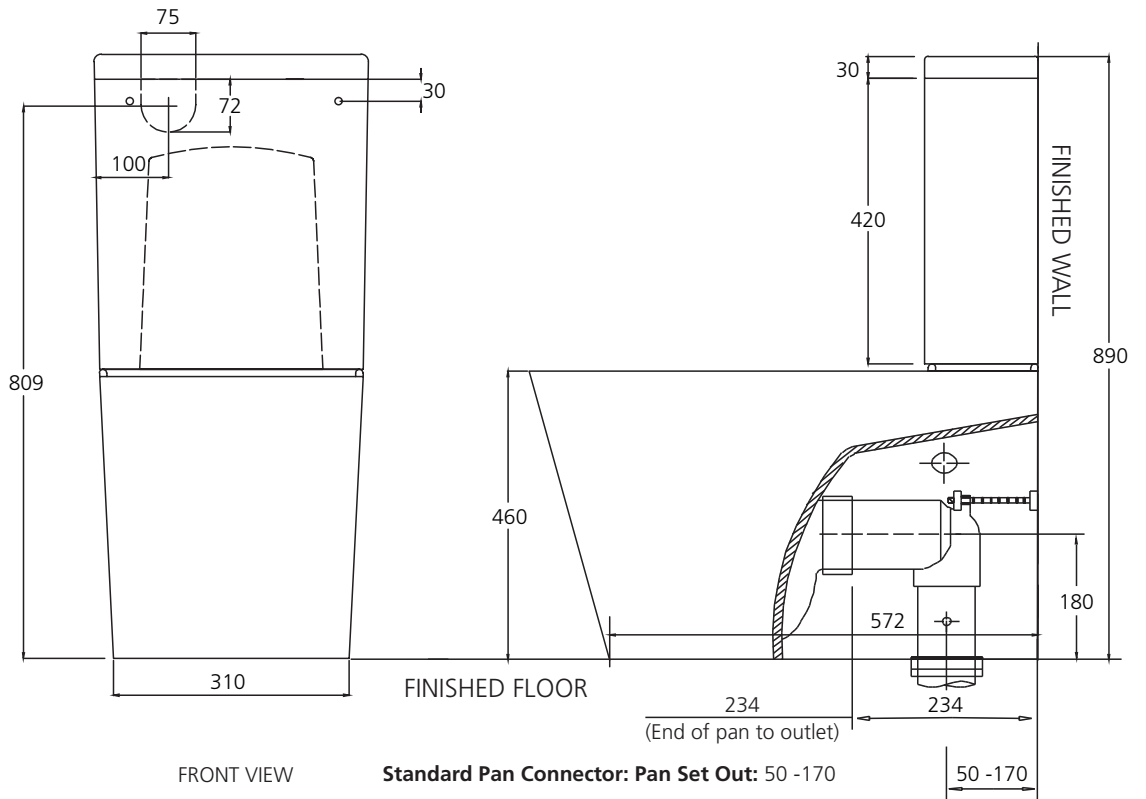
# Vienna

## SET OUT DRAWING

All dimensions in mm

**VI1273CH** (Pan: VI127H3T / Cistern: VI127H3W / Seat: VI1273ST)

Comfort Height Back To Wall Toilet Suite



## OPTIONAL SET OUT DRAWING

