

# Verona

**VA304503CG-TK**

Classic Gold Wall Mixer With Diverter - Trim Kit Only



All dimensions in mm

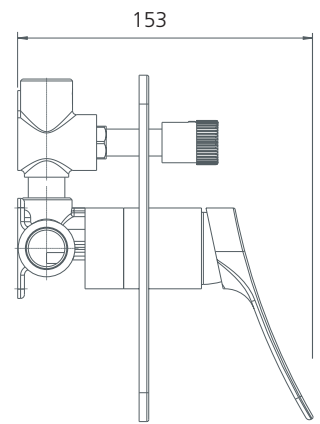
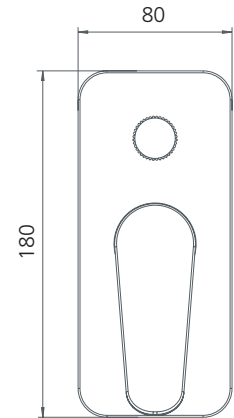
**Included components**

Interchangeable trim kit: Backplate, handle, diverter twist pin, cartridge sleeve and dome cover.

**SERIES 1**

**Inwall body not included**

Requires Verona Wall Mixer with Diverter Inwall Body: UNI-B1-BY.



Trim kit and inwall body assembly.

## Specifications /

<b>Finish</b>	Classic gold (electrophoretic painting)
<b>Materials</b>	Lead free brass body and zinc handle
<b>Compatibility</b>	For use with Verona Wall Mixer With Diverter Inwall Body (UNI-B1-BY)
<b>Product weight</b>	1.02 kg
<b>Carton size</b>	190 x 90 x 60 mm
<b>Warranty</b>	15 years parts; 5 years finish; 1 year labour (see Oliveri website for full details)
<b>Maintenance and care instructions</b>	All surfaces should be cleaned with mild liquid detergent or soap and water. Do not use cream cleaners or citrus based cleaning products, as they are abrasive. Use of unsuitable cleaning agents may damage the surface. Any damage caused in this way will not be covered by warranty.